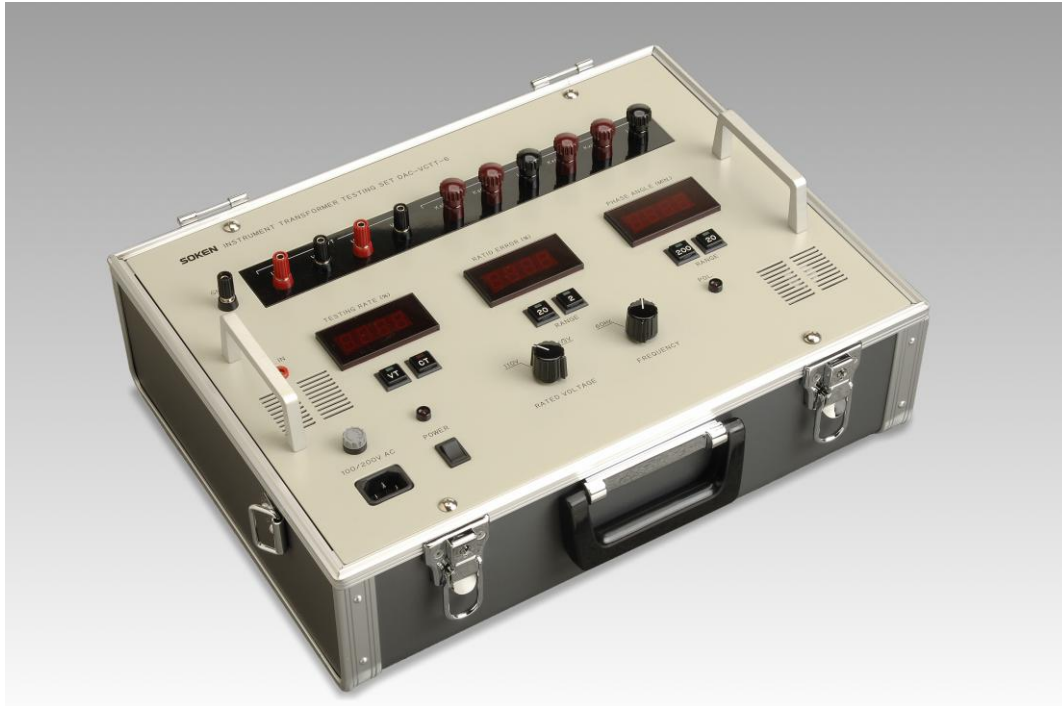


INSTRUMENT TRANSFORMER TESTING SET

DAC-VCTT-6



DAC-VCTT-6 is a suitable tester to measure errors of Instrument Current Transformer (CT) and Instrument Voltage Transformer (VT) precisely in test site. Maintaining high accuracy, the tester has been designed to be solid, small, and easy to carry with simplified function as much as possible. DAC-VCTT-6 is designable for on-site test, and quality control test for production line.

Features

- **Aluminum Trunk Type, Compact in size and weight.**
- **Simple operation, fast measurement.**
- **Suitable for field test trip and quality control at products line.**



Instrument Transformer Testing Set DAC-VCTT-6

Specifications

Test Method	Equal Ratio Comparison Test Method with standard.
Standard CT & VT	Provided as option
VT under test	Rated Secondary voltage : 110V, 110/ $\sqrt{3}$ V
CT under test	Rated Secondary Current : 5A, 1A

Measuring Range

Ratio Error and Phase Angle

Measuring Range		Display	
Ratio Error(%)	Phase Angle(min)	Ratio Error(%)	Phase Angle(min)
2%	20 min	0~ $\pm 1.999\%$	0~ ± 19.99 min
20%	200 min	0~ $\pm 19.99\%$	0~ ± 199.9 min

VT Secondary Voltage	VT 110V Rating	2.0~220V
	VT 110/ $\sqrt{3}$ V Rating	1.2V~127V
CT Secondary Current	CT 5A Rating	0.1~10A
	CT 1A Rating	0.02~2A
Test Frequency	50Hz/60Hz (manually selected)	

Resolution

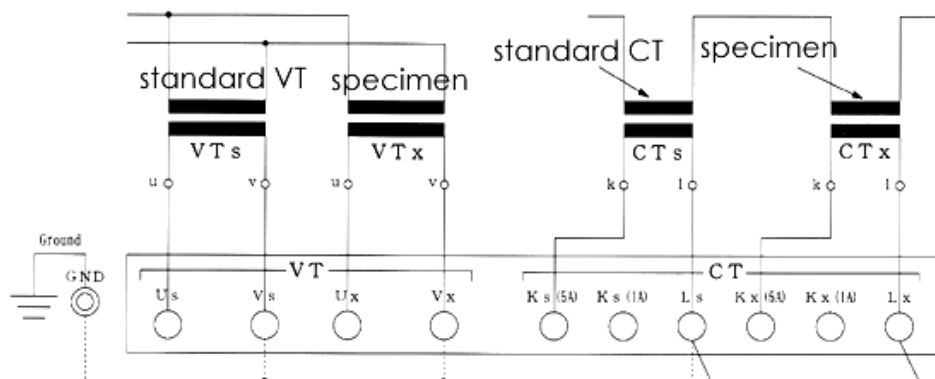
Ratio Error and Phase Angle

Range	Ratio Error	Phase Angle
2%	0.001%	0.01 min
20%	0.01%	0.1 min

Accuracy

Ratio Error and Phase Angle	More than 20% of rating	$\pm(3\%R_{dg}+4$ digits)
	Less than 20% of rating	$\pm(3\%R_{dg}+6$ digits)

Internal Burden	Less than 1VA	
Input Power	AC100V~240V	50Hz/60Hz
Operating Environment	Humidity	35%~80% (no dew)
	Temperature	10°C~35°C
Size and Weight	W430xH180xD320mm(without projection)	10.0kgs/Net



Specifications are subject to change for improvements without prior notice.

2014/07/18